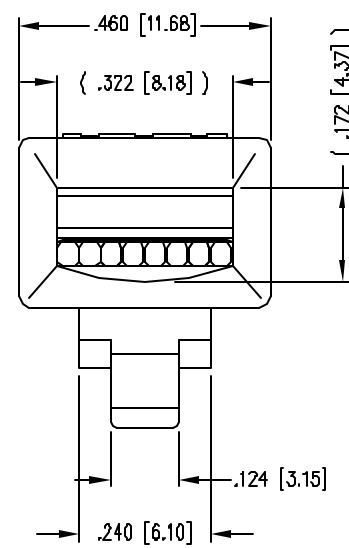
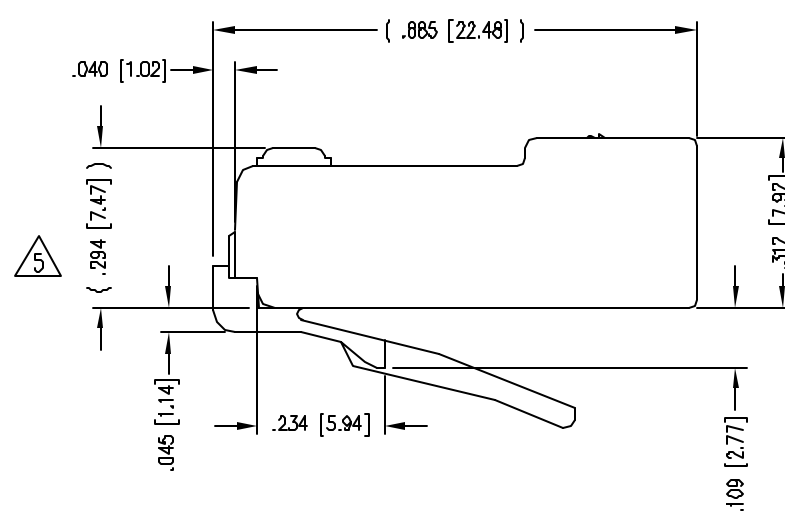
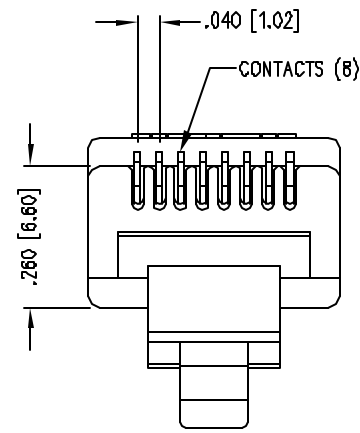
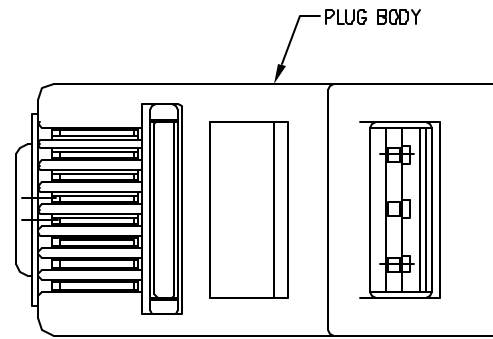


2

1

DATE	REV	ECN	APP'D. BY
10-31-05	B2	7361	TRM
1-16-06	B3	7436	JM



NOTES:

- 1- MATERIALS:
 PLUG BODY: POLYCARBONATE, UL 94-V0
 CONTACTS: PHOSPHOR BRONZE, SELECTIVE GOLD PLATING
- 2- CONTACTS TERMINATE SOLID OR STRANDED CONDUCTORS UP TO .040 [1.02] OUTSIDE DIAMETER OF INSULATION.
- 3- FOR PRODUCT SPECIFICATION SEE PR026-01.
- 4- TOLERANCES COMPLY WITH F.C.C. DIMENSION REQUIREMENTS.
- △ TERMINATED PLUG HEIGHT: .237 [6.02] ±.005 [0.13]

BAG OF 50	50 MICRO-INCHES [1.27um]	SS-30800-063
BAG OF 25	50 MICRO-INCHES [1.27um]	SS-30800-064
BULK	50 MICRO-INCHES [1.27um]	940-SP-3088R-A133
PACKAGE	CONTACT PLATING IN MATING AREA	PART NUMBER

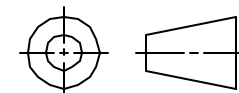
B

B

A

A

THIRD ANGLE PROJECTION



Bel Stewart Connector

11118 Susquehanna Trail South
 Glen Rock, PA 17327-9199
 (717) 235-7512 Fax: (717) 235-7954 <http://www.stewartconnector.com>

DO NOT SCALE DRAWING
 DRAWING IS SUBJECT TO CHANGE WITHOUT NOTICE

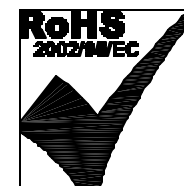
DIMENSIONS: INCHES [METRIC]
 UNLESS OTHERWISE SPECIFIED TOLERANCES ARE ±.005 [0.13] ANGLES ARE ± 1°

SHEET NO. 1 OF 1

TITLE: (940-SP-3088R-A133) EIGHT CONDUCTOR/EIGHT POSITION LINE CORD MODULE WITH RADIAL BACK; COLOR: CLEAR

THIS DRAWING AND THE SUBJECT MATTER SHOWN THEREON ARE CONFIDENTIAL AND THE PROPRIETARY PROPERTY OF BEL STEWART CONNECTOR AND SHALL NOT BE REPRODUCED, COPIED, OR USED IN ANY MANNER WITHOUT PRIOR WRITTEN CONSENT OF BEL STEWART CONNECTOR. THE SUBJECT MATTER MAY BE PATENTED OR A PATENT MAY BE PENDING.

DRN BY:	TRM	DATE	1-24-03
APPD BY:	RGC	DATE	1-28-03
DWG NO.	CT300153	REV.	B3



2

1

AutoCAD

REV. 6/3/05